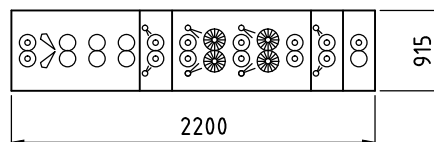
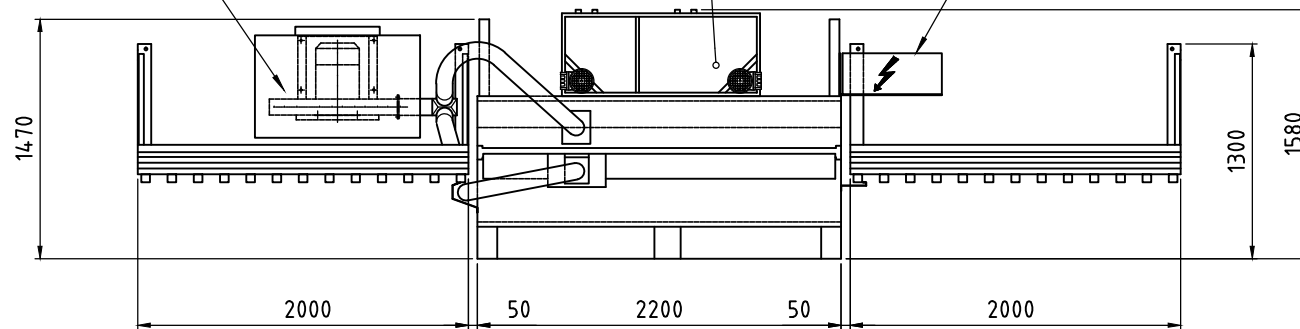


VENTILATORE CENTRIFUGO
CENTRIFUGAL FAN

VASCA ACQUA
WATER TANK

QUADRO ELETTRICO
ELECTRIC BOARD



OT 1600/500/4S

