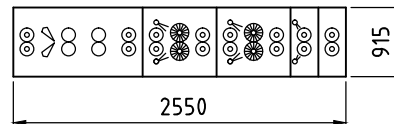
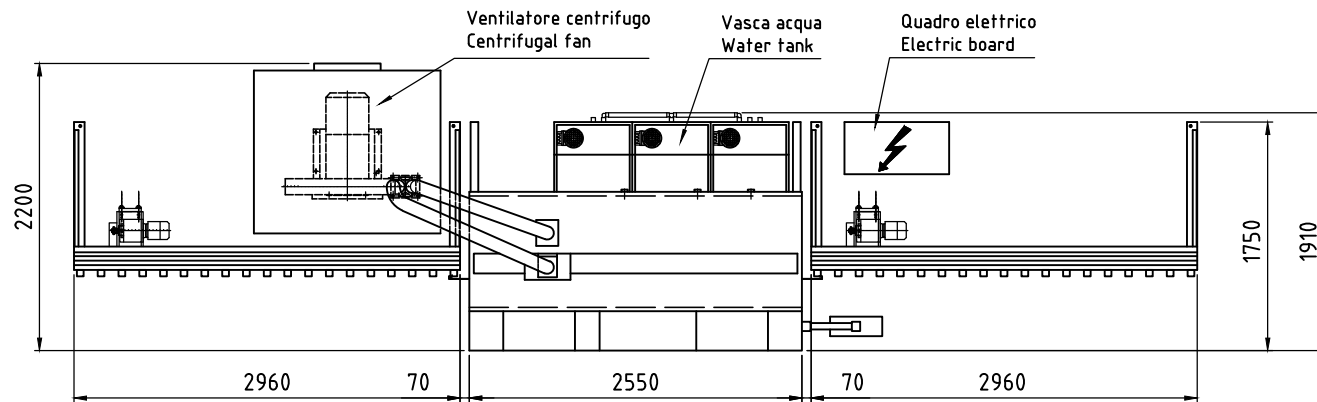
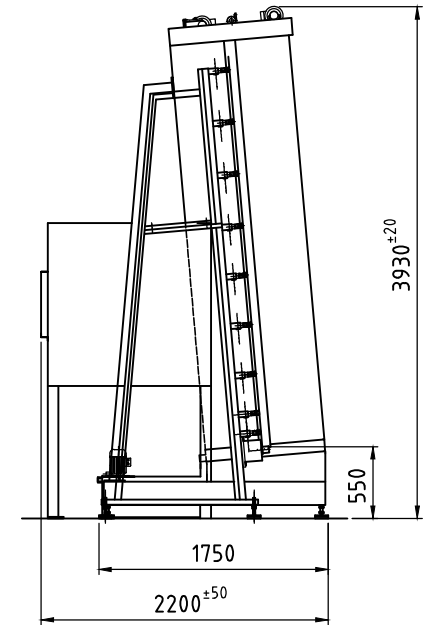
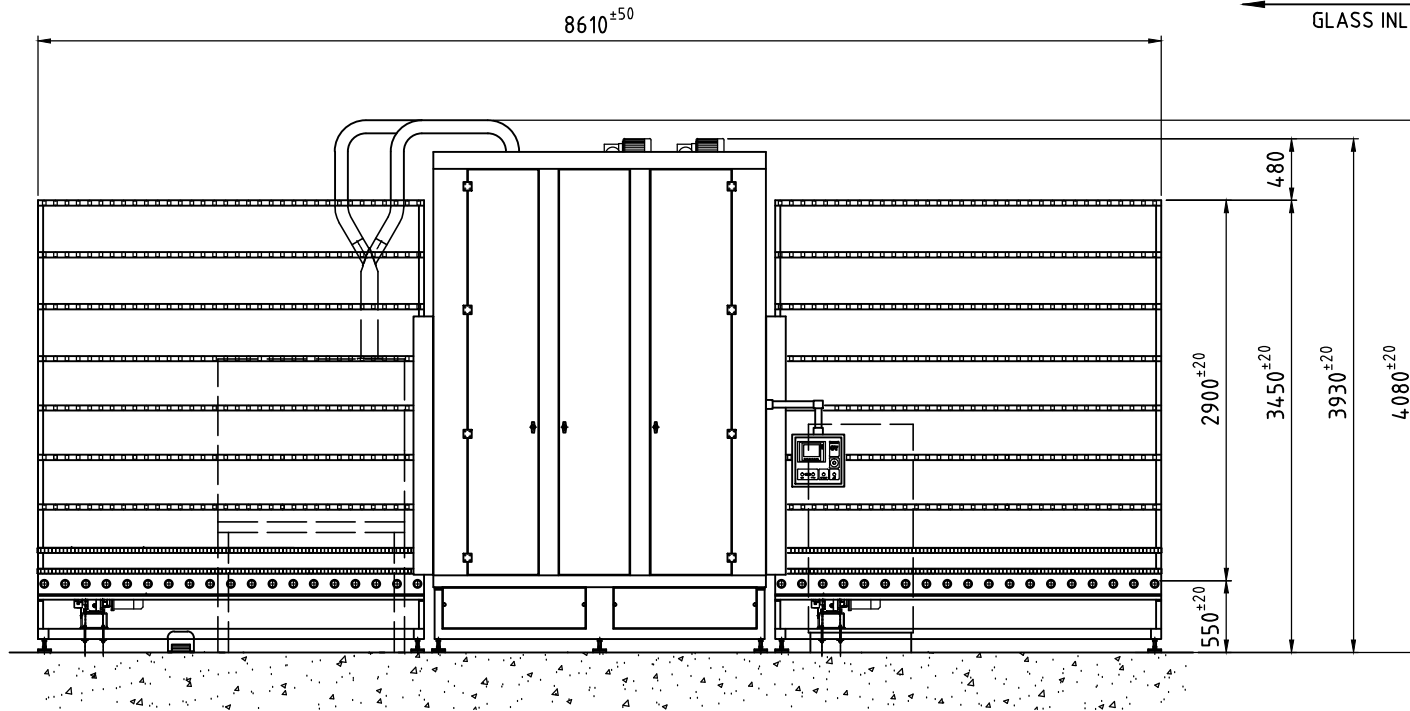


INSERIMENTO VETRO
GLASS INLET



CT 3000/500/4S



COD.DIS.93060150A