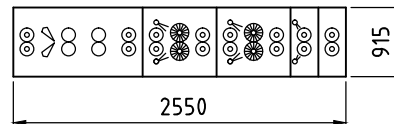
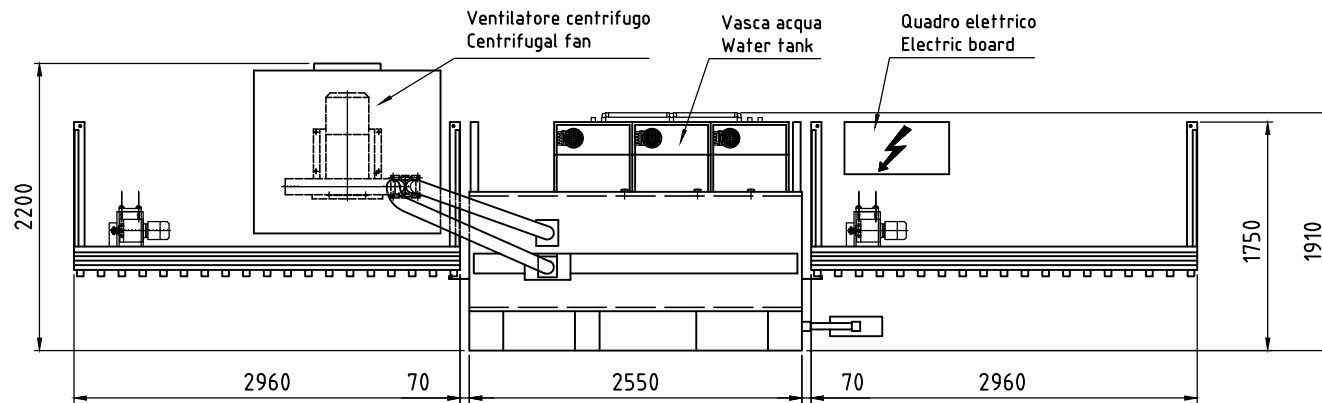
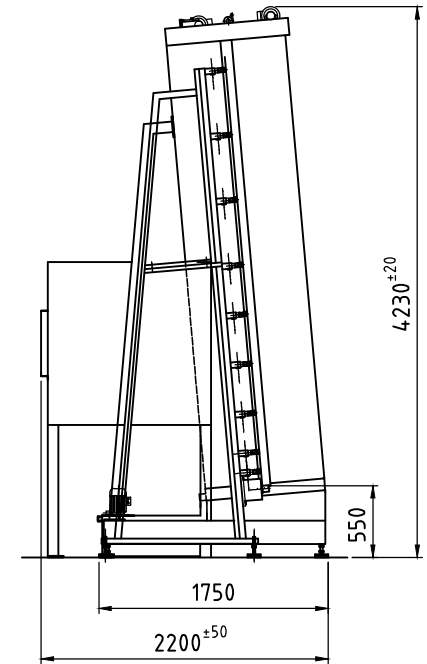
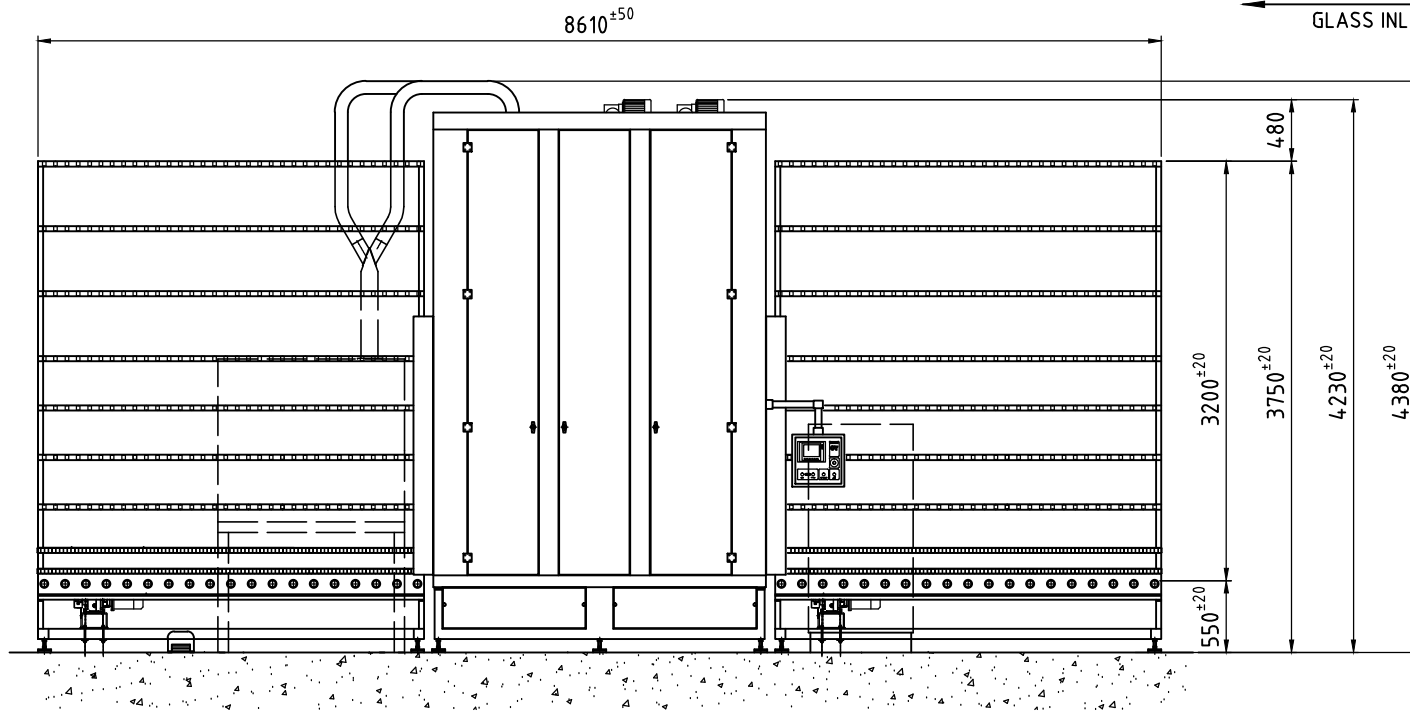


INSERIMENTO VETRO  
GLASS INLET



CT 3300/500/4S



COD.DIS.93060123B